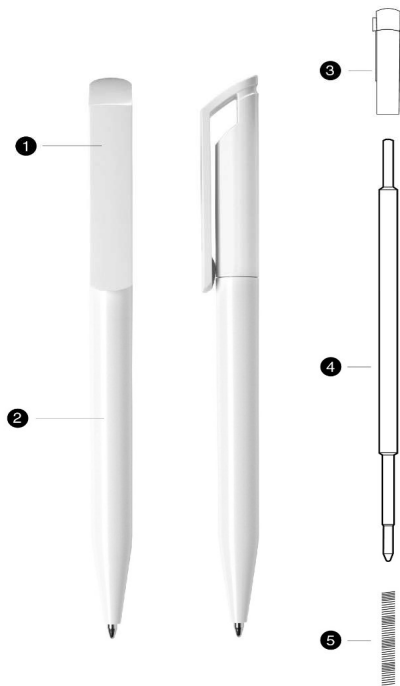


Zink



Components

- ❶ Cap
- ❷ Barrel
- ❸ Inner mechanism
- ❹ Refill
- ❺ Refill spring

maxema®

Bill Of Materials

Production Place: ITALY

Part No.	Part Name	Material	Weight gr.
1	Clip	ABS plastic	3,400
2	Barrel	ABS plastic	4,730
3	Inner mechanism	Polypropilene	0,620
4	Refill	Polypropilene barrel + nickel-platted brass tip + Dokumental in	1,550
5	Refill spring	Galvanized steel	0,439
			10,739