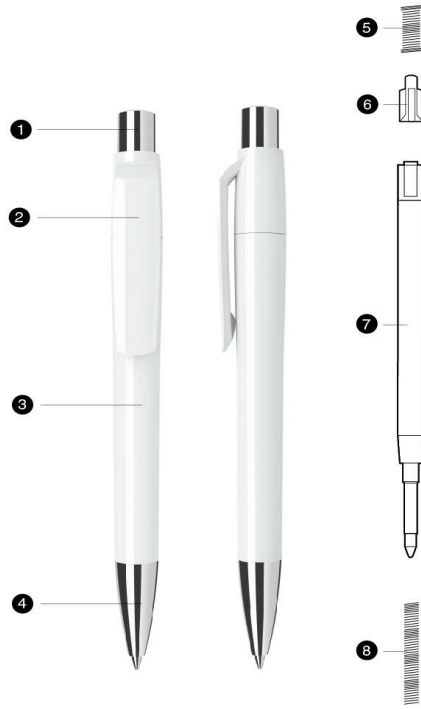


Mood



Components

- ❶ Push-button
- ❷ Clip
- ❸ Barrel
- ❹ Tip
- ❺ Return spring
- ❻ Inner mechanism
- ❼ Refill
- ❽ Refill spring

maxema®

Bill Of Materials

Production Place: ITALY

Part No.	Part Name	Material	Weight gr.
1	Push button	Metal + ABS plastic	5,900
2	Clip	ABS plastic	3,000
3	Barrel	ABS plastic	3,400
4	Tip	Metal	4,100
5	Return spring	Galvanized steel	0,400
6	Inner mechanism	Polypropilene	0,620
7	Refill "Parker type"	Polypropilene barrel + nickel-platted brass tip + Dokumental in	0,200
8	Refill spring	Galvanized steel	0,200
			17,820