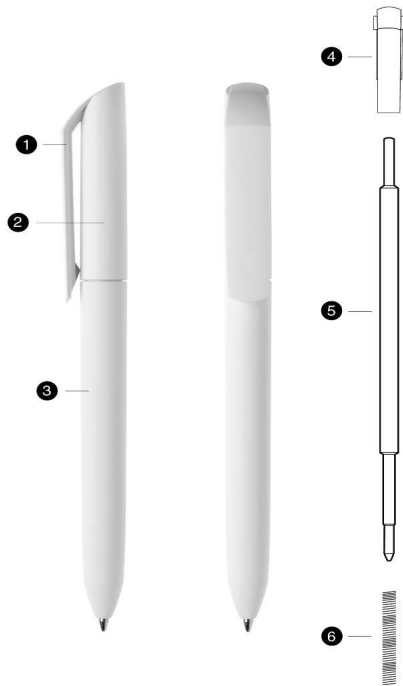


Flow Pure



- Components**
- 1 Clip
 - 2 Cap
 - 3 Barrel
 - 4 Inner mechanism
 - 5 Refill
 - 6 Refill spring

maxema®

Bill Of Materials

Production Place: ITALY

Part No.	Part Name	Material	Weight gr.
1	Clip	ABS plastic	1,630
2	Cap	ABS plastic	2,200
3	Barrel	ABS plastic	6,100
4	Inner mechanism	Polypropilene	0,620
5	Refill	Polypropilene barrel + nickel-platted brass tip + Dokumental in	1,550
6	Refill spring	Galvanized steel	0,439
			12,539