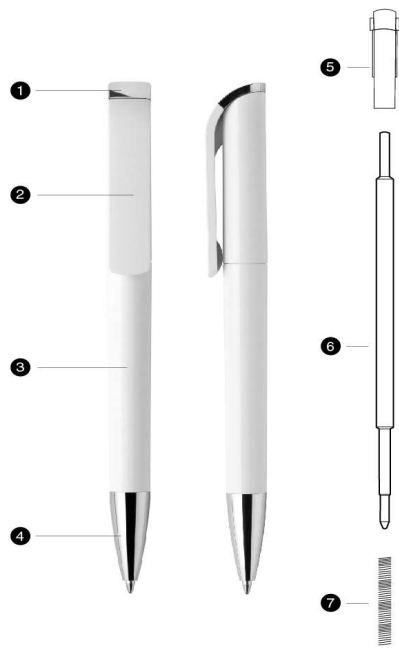


Tag



Components

- ❶ Plug
- ❷ Cap
- ❸ Barrel
- ❹ Tip
- ❺ Inner mechanism
- ❻ Refill
- ❼ Refill spring

maxema®

Bill Of Materials

Production Place: ITALY

Part No.	Part Name	Material	Weight gr.
1	Plug	ABS plastic /Chromed ABS plastic	0,500
2	Cap	ABS plastic	3,400
3	Barrel	ABS plastic	5,150
4	Tip	Painted / Chromed ABS plastic	0,600
5	Inner mechanism	Polypropilene	0,620
6	Refill	Polypropilene barrel + nickel-platted brass tip + Dokumental in	1,550
7	Refill spring	Galvanized steel	0,439
			12,259