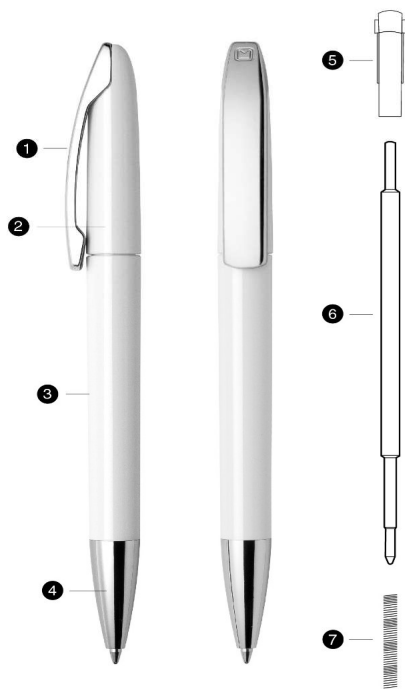


View



Components

- ❶ Clip
- ❷ Cap
- ❸ Barrel
- ❹ Tip
- ❺ Inner mechanism
- ❻ Refill
- ❼ Refill spring

maxema®

Bill Of Materials

Production Place: ITALY

Part No.	Part Name	Material	Weight gr.
1	Clip	Metal	2,900
2	Cap	ABS plastic / Rubberised ABS plastic	1,850
3	Barrel	ABS plastic / Rubberised ABS plastic	5,150
4	Tip	Chromed ABS plastic	0,600
5	Inner mechanism	Polypropilene	0,620
6	Refill	Polypropilene barrel + nickel-platted brass tip + Dokumental in	1,550
7	Refill spring	Galvanized steel	0,439
			13,109